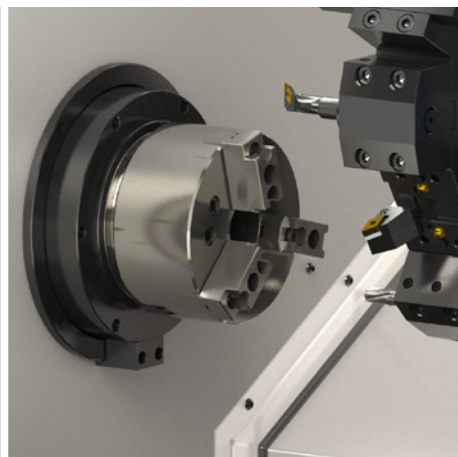
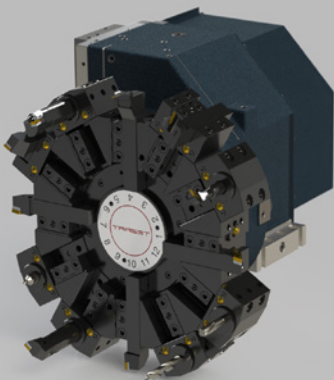


TARGET

CNC
Turning Center

LH 206

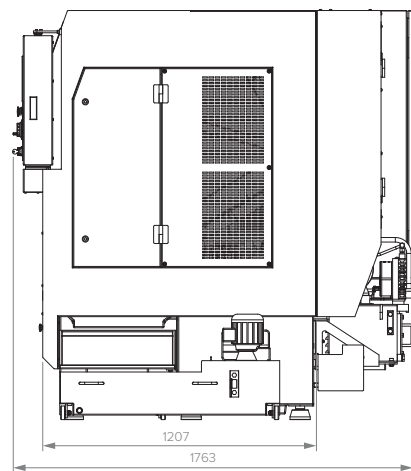
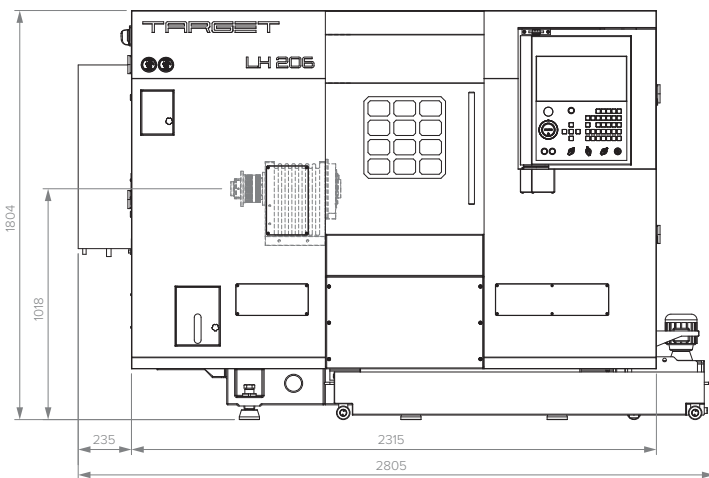
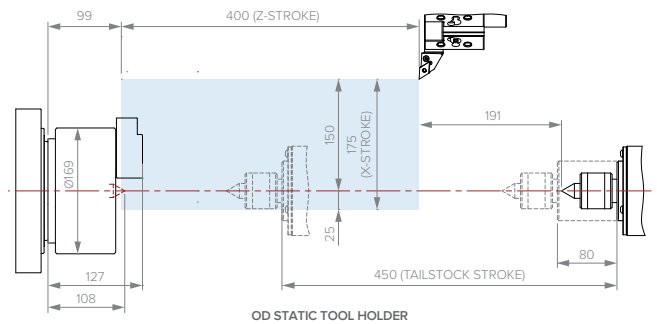
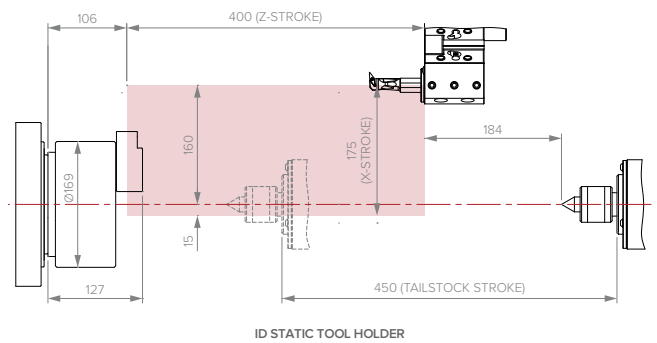
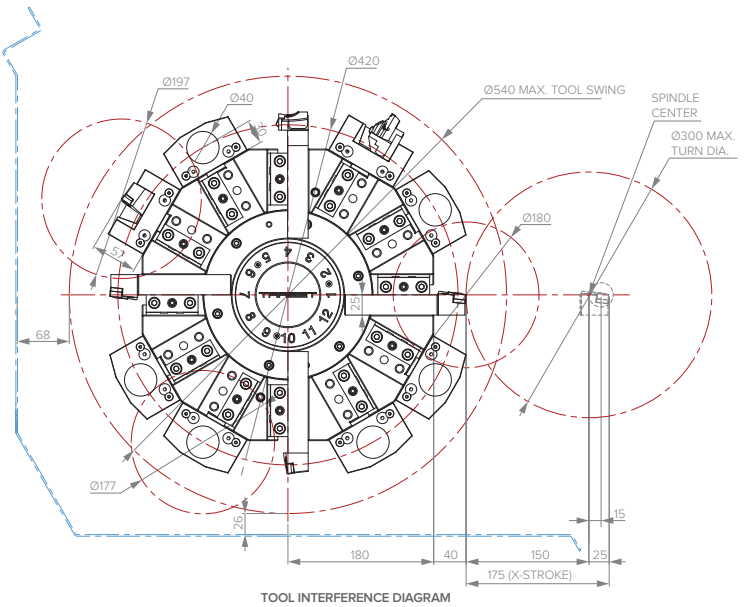
Turning 30 years
of experience into perfection



SPECIFICATIONS

Item	Unit	LH 206
Capacity		
Turning Diameter (Max)	mm	Ø300
Turning Length (Max)	mm	400
Bar Capacity (Max)	mm	Ø40
Swing Over Cross Slide	mm	Ø340
Swing Over Way Covers	mm	Ø600
Main Spindle		
Spindle Nose	ASA	A2-5
Spindle Bore Diameter	mm	Ø50
Spindle Bearing Diameter (Front)	mm	Ø80
Chuck Size (Standard)	mm	Ø169
Spindle Speed (Standard/Option)	rpm	6000/4000
Spindle Power Continuous (30 min)	kW	5.5 (7.5)
Turret		
Type: Servo Index w/ Hydraulic Clamping		Slotted Tool Disc
No. of Tool Stations		12
Turning Tool Shank Size	mm	25 x 25
Boring Bar Diameter (Max)	mm	Ø40
Index Time (1 Station)	s	0.9
Index Time (180°)	s	1.6
Live Tooling		
No. of Live Tool Mounting Stations (Max)		
Live Tool Type		
Speed (Max)	rpm	Refer Model: LH 206M
Power (Max)	kW	
Torque (Max)	Nm	
Feed Drives		
X Axis Rapid Traverse	m/min	30
Z Axis Rapid Traverse	m/min	30
X Axis Stroke	mm	175
Z Axis Stroke	mm	400
Type of Guide Ways - X & Z Axes		LM Guides
Tailstock		
Quill Diameter	mm	Ø80
Quill Taper Size		MT-4
Quill Thrust (Max)	kg	500
Quill Stroke	mm	80
Tailstock Base Travel	mm	450
Type of Guide Ways		V & Flat
C Axis		
Least Programmable Value	deg	Refer Model: LH 206M
Rapid Traverse (Max)	rpm	
Accuracies		
Spindle Nose Run-out TIR (Max)	mm	0.005
Positioning Accuracy - X & Z Axes	mm	±0.010
Repeatability - X & Z Axes (Max)	mm	0.005
Machine Size and Power		
Length (w/o Chip Conveyor)	mm	2805
Height	mm	1804
Width	mm	1763
Height of Spindle Center	mm	1018
Weight	kg	3580
Power (w/o Options)	kVA	15
Control		
CNC System		FANUC/Mitsubishi/Siemens
Axis Drive		AC Digital Servo
Spindle Drive		AC Spindle Servo

Due to continuous improvements in design, the specifications are subject to change without notice.



Other Variants	CNC Turning Center LH 208, CNC Turning Center LH 210, CNC Turn-Mill Center LH 206M, CNC Turn-Mill Center LH 208M, CNC Turn-Mill Center LH 210M
-----------------------	--

Machine Options	Parts Catcher, Chip Conveyor, Steady Rest, Bar Puller, Bar Feeder
------------------------	---